

Face mount

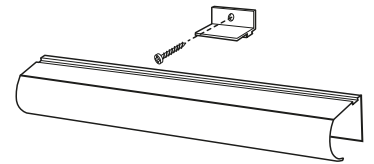
Montage en surface

GS43 roller mosquito net

ver. 1.0

Installation instructions

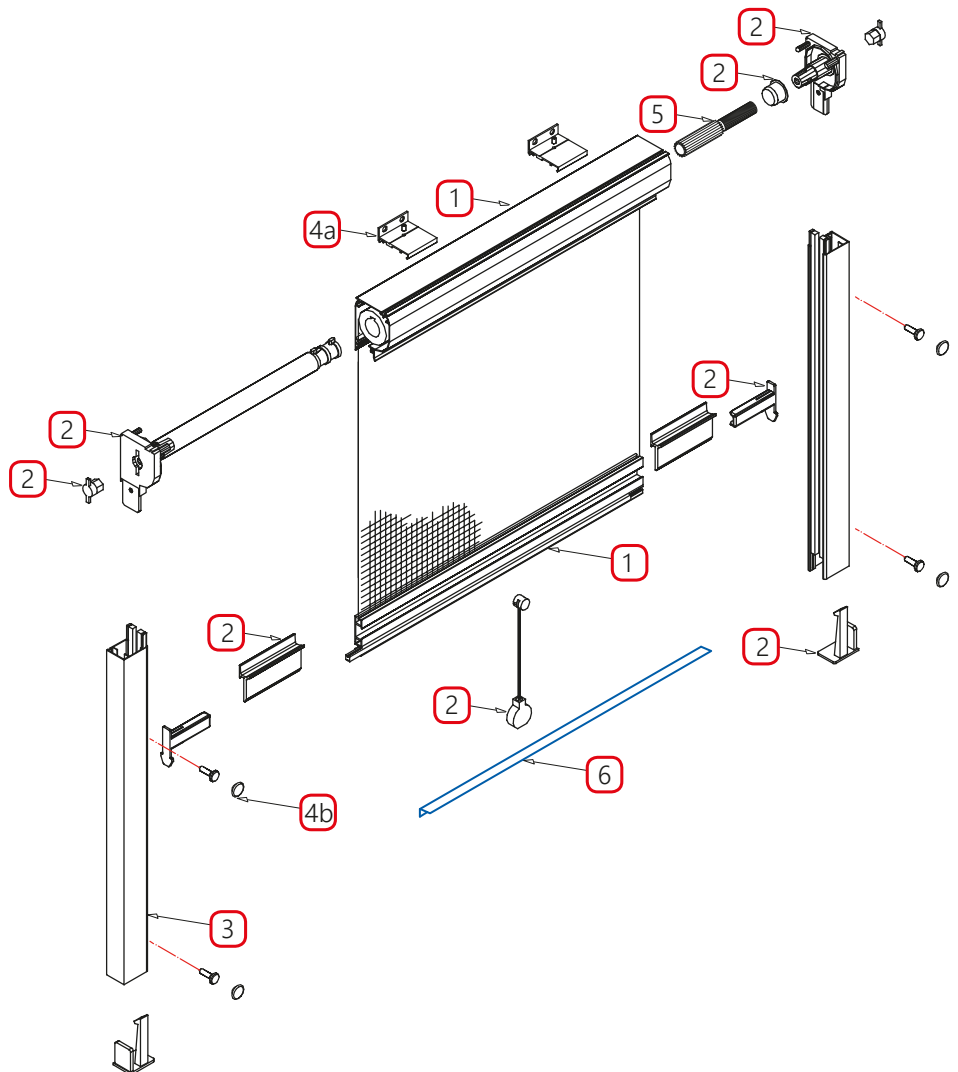
Monteringsinstruktion

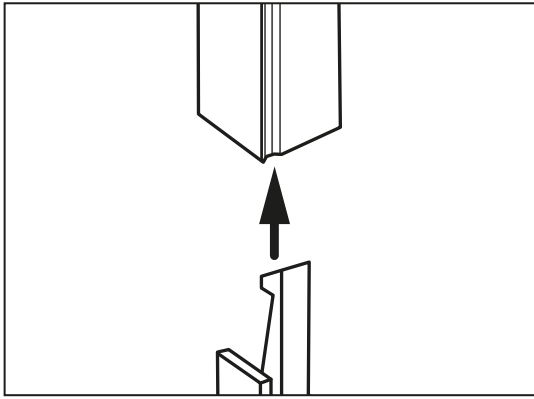


| Necessary tooling |

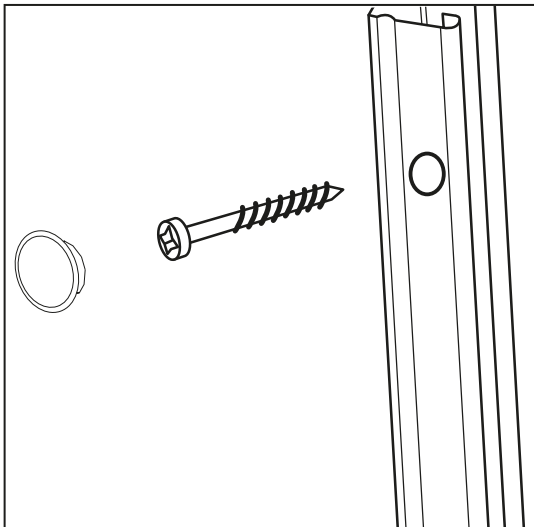


- 1** 01-012XX-XX
Screen cassette with pull bar and net
- 2** 01-907X0-05
Compo kit vertical
- 3** 01-02050-XX
Side guide 30 x 22 mm with brush
- 4a** 01-26100-25
Frontal bracket black
- 4b** 00-13740-XX
Plastic cap 8 mm
- 5** Tbfd509M00
Brake
- 6** 01-83052-05
Support angle 20x15x2mm

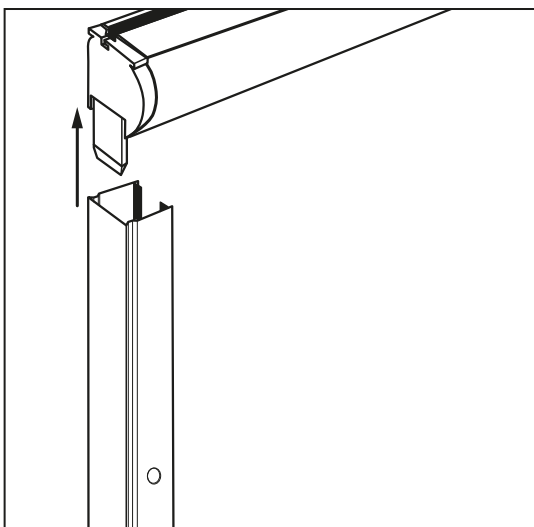




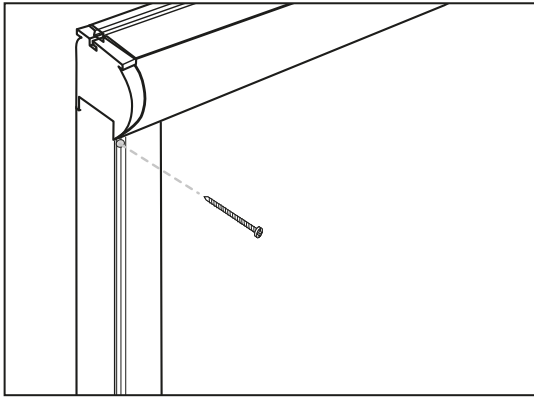
EN Fix the inner latch inside the guide.



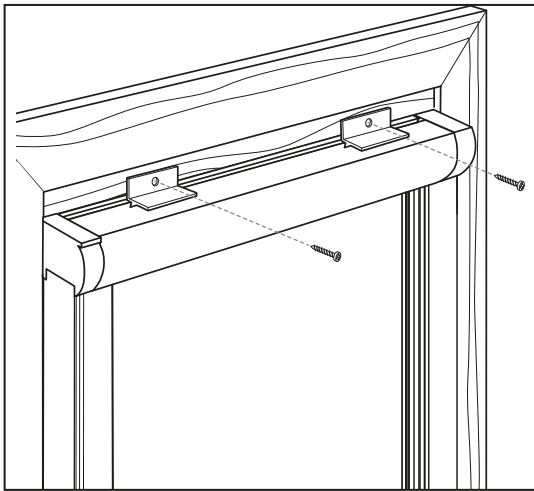
EN Drill installation holes in the front of the side guide.



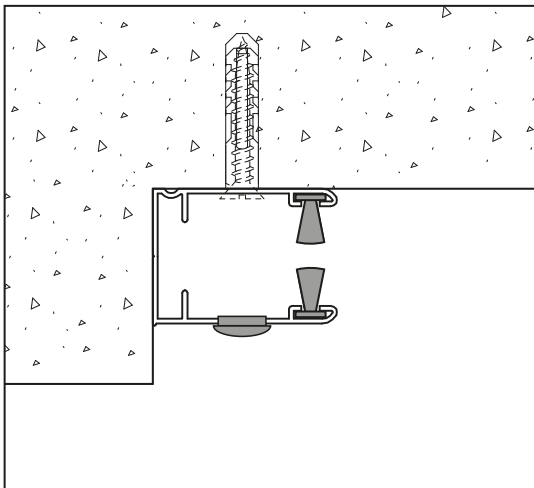
EN Slide the guide inside endcap.



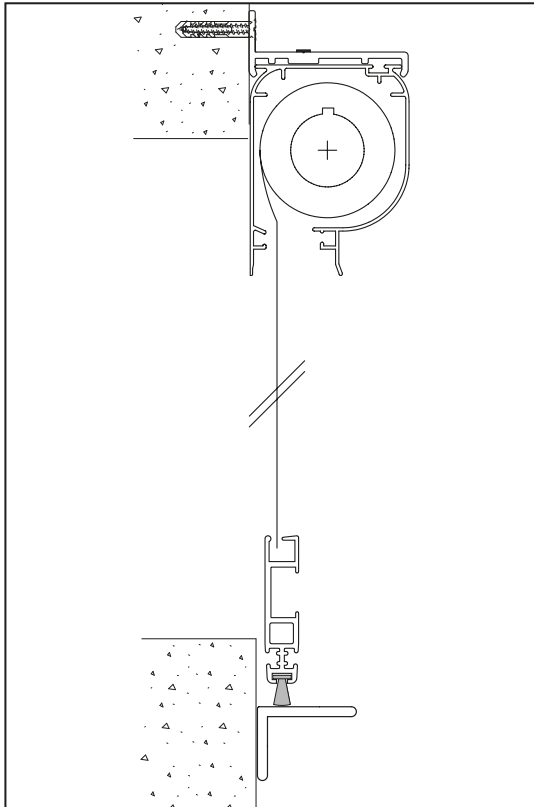
EN Screw the cassette onto the guides.



EN Install brackets and cassette.



EN Fix the side guide by screws and insert caps.



EN (Optional) If there is not a flat surface to hold up the side guides, please use the support angle.

