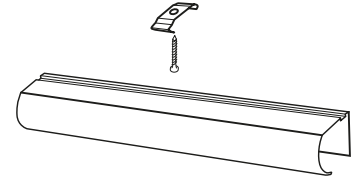


Recess mount

Roller mosquito net GS43

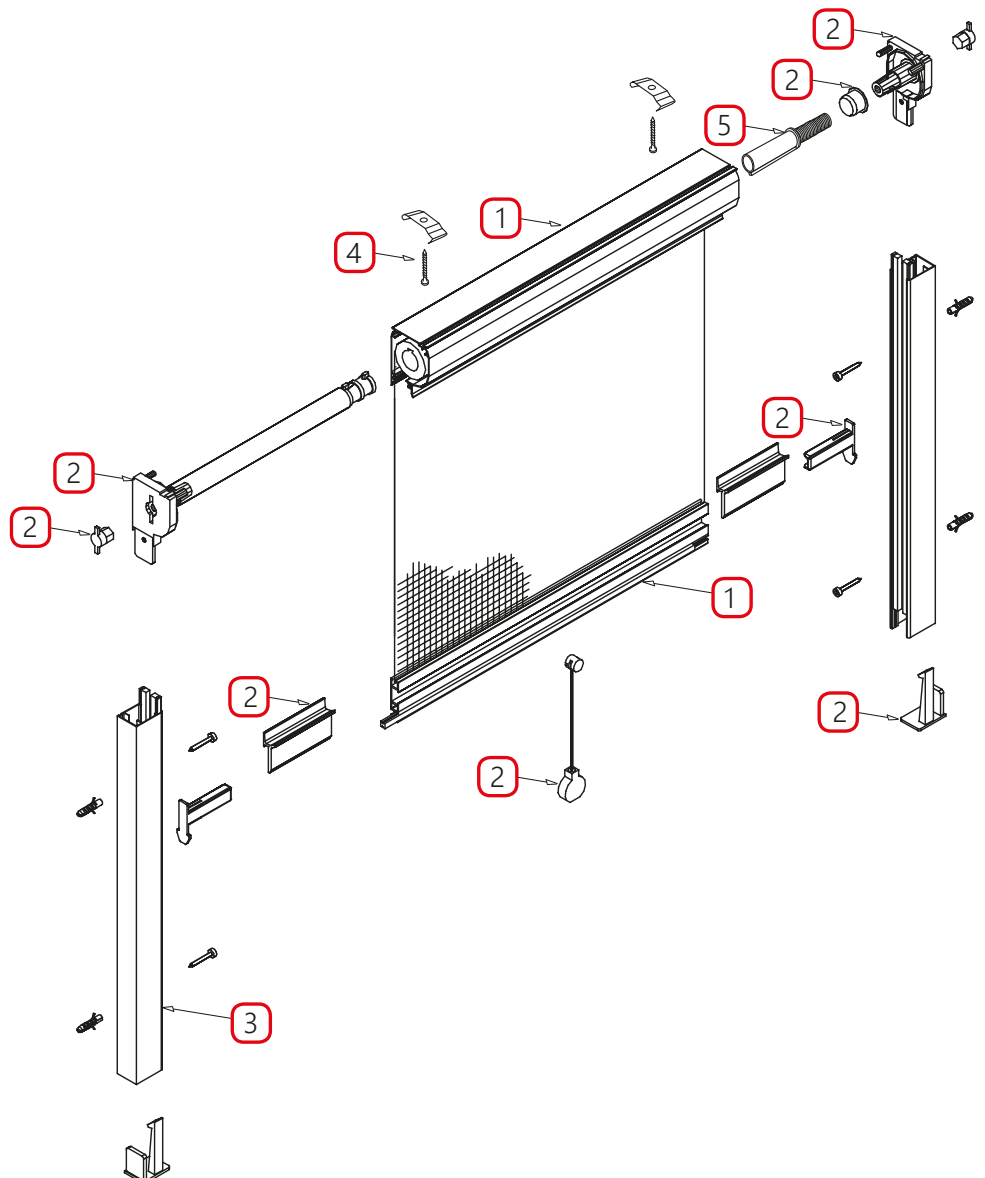
ver. 1.0

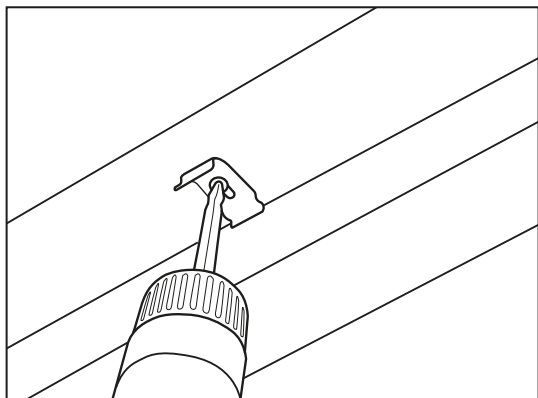


| Necessary tooling |

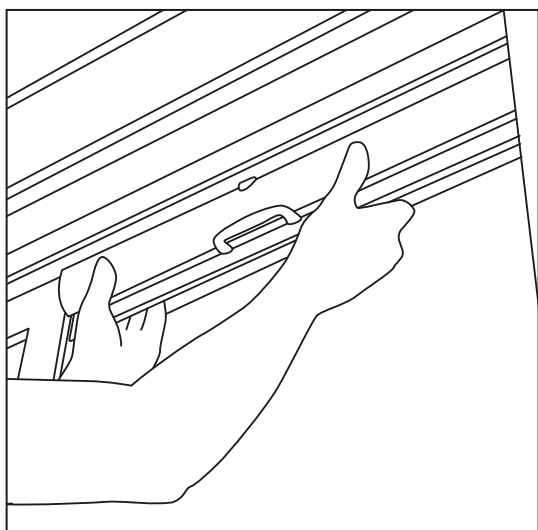


- 1** 01-012XX-XX
Screen cassette with pull bar and net
- 2** 01-907X0-05
Compo kit vertical
- 3** 01-02050-XX
Side guide 30 x 22 mm with brush
- 4** 01-13040-25
Recess bracket
- 5** TBFD509M00
Brake

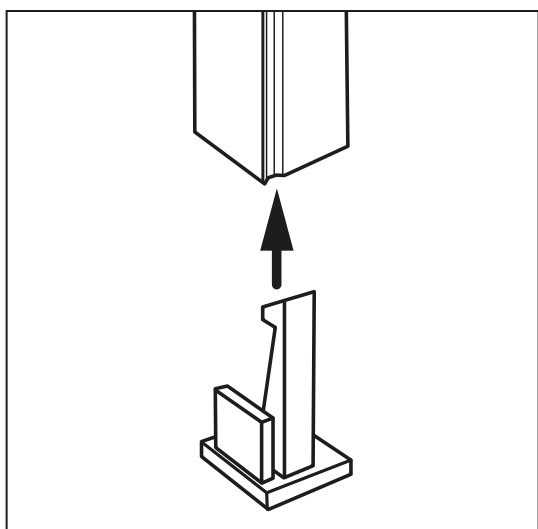




Fix the bracket inside the frame.

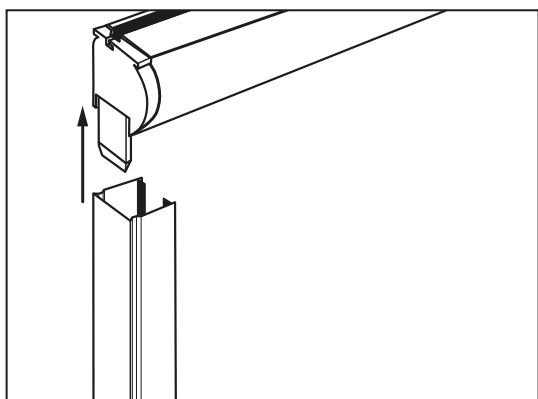


Fix the cassette on the bracket.

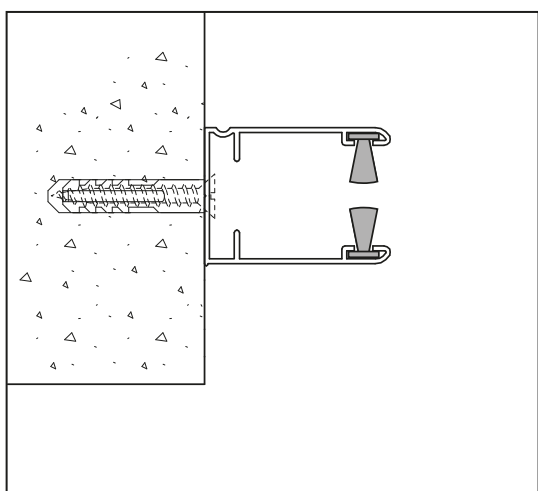


Fix the inner latch inside the guide.

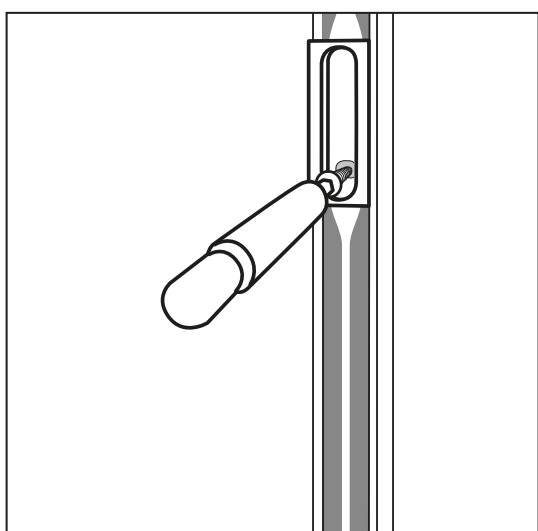




Slide the guide inside endcap.



Drill the holes for side guide mounting, place a rawlplug in each hole.



Open brushes with brush opener and fix the side guide onto the frame.

